



Weyn-Lauwers N.V.

Industriepark-Noord 12
B - 9100 SINT-NIKLAAS

Tel. : 00 32 (0)3 776.34.13
Fax : 00 32 (0)3 778.09.52
weynlauwers@weynlauwers.be
www.weynlauwers.be

SWING CHECK VALVE
BSP
AISI 316
FIG 712

DESIGN FEATURES

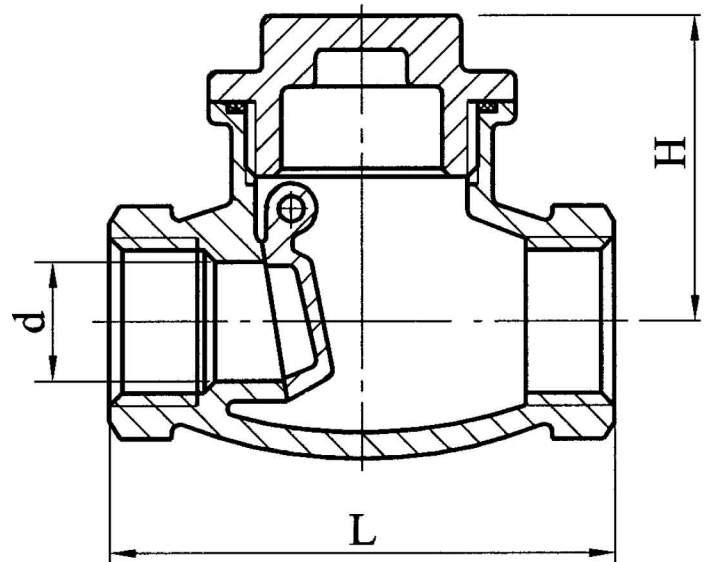
- swing check valve 1/4"-3" PN16
- threaded BSP
- min. temp : -20°C
- max. temp : +180°C
- specifications : swing type
female/female
metal/metal

USE

- for all common fluids
- max. pressure : 16 bar

MATERIALS

item	Part name	Material
1	body	SS316
2	cap	SS316
3	disc	SS 316
4	plug	SS316
5	shaft	SS316
6	gasket	PTFE



SIZE (in mm)

DN	1/4"	3/8"	1/2"	3/4"	1"	1 1/4"	1 1/2"	2"	2 1/2"	3"
L	65	65	65	80	90	105	120	140	180	200
H	42	42	42	51	60	67	75	81	99	104
d	10	12	15	20	25	32	40	50	65	80
kg	0,32	0,33	0,35	0,45	0,68	1,05	1,45	2,15	4,73	7,26
ref.	712.02	712.03	205400	205401	205402	205403	205404	205405	205406	205407